



SPECIFICATION

	Industrial Penel PC All in One Touch Monitor
MODEL	TSPC
PRODUCT MODEL NAME	TSPC-215-W2
CUSTOMER	
DATE	2020-03-22

APPROVED BY TOUCH AND DISPLAYS CO.,LTD	
ENGINEER	Kyeong Min Lee
REVIEWER	 Sung-Hyun Kim Manager Director
CONFIRMED	



Key Feature

This industrial Touch Screen Panel PC All in One Linux 8inch. This industrial panel PC with touch screen designed with good looking and ultra-thin front bezels, only 3mm, well for embedding into cabinet, console and other equipment. It comes with 4 / 5-wire resistive or ten-point multi projective capacitive touch screens, IR touch also offer non-touch screen for some customers.

CPU Option : J1900 , J4125, J6412

i3-6100U ,i3-8145u,i3-10110u,
 i5-6200u, i5-7200u,i5-8262u,i5-10210u,
 I7-6500U,I7-7500U,I7-8565U,I7-10510U

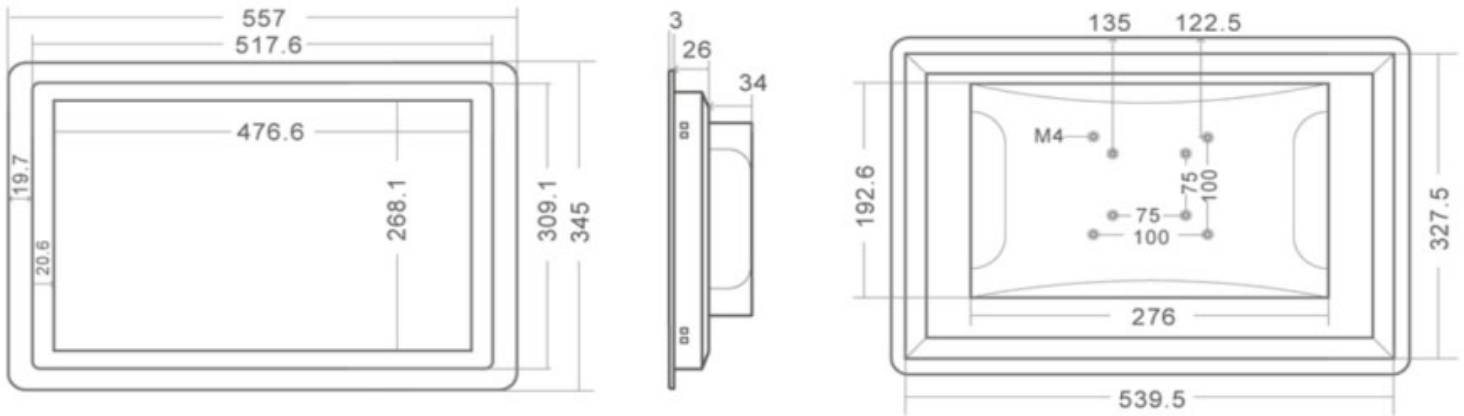
For RAM: 4g/8g /16G RAM.

For Hard Disk: 64G/128G/256G/512G SSD, or 500G/1T HDD.

Screen	Screen size	21.5inch
	Model	TSPC-215-W2
	Resolution	1920x1080
	Proportion	16:9 ratio
Motherboard	CPU	Intel Celeron J1900 1.99GHz quad-core(Max 2.4GHz) (optional Intel Celeron 1037 1.8GHz dual-core, optional Intel H81 equipped with Core i3/i5/i7)
	Hard Disk	64G SSD (Optional 128/256/512G SSD)
	Memory	4G DDR3 (supports 8G)
	Audio	Integrated Audio Chip
	Network	Integrated Gigabit LAN
	Wireless Network	built-in wifi antenna, support wireless connection
	Graphics Cards	Intel HD Graphics
	System	Window 7 Professional Ultimate, Window 10 Professional/Enterprise/Home, Ubuntu 16.04.7/Ubuntu 18.04.6/Ubuntu 20.04/Centos 7.4 /Centos 7.8/Redhat7.4/Debian7.0/Centos7.6
	Board pressure	With wide voltage(12V~36V)
	SIM	4-VIP #/xssrw#j#duixv#icp dw#Ghshggij#q#5J 2/J # rgx#,#
Speakers	Available	
Interface	USB interface	USB2.0*2, Other sizes: USB2.0*3+USB3.0*1
	Serial Interface	COM*1, Other Sizes: COM*2, Default RS232 Protocol, Can Change 422/485 Protocol
	WIFI connector	WIFI antenna*2 2.4GHz/GHz, Dual frequency Wifi
	Power Interface	DC 12V*1
	High-definition Interface	HDMI, Supporting HDMI data output, up to 4K
	Extended display	VGA*1, support for synchronous dual display and differential display
	Network Interface	1*LAN, 10M/100M/1000M adaptive Ethernet
	Camera	M1,M5 Camera(optional)
	MIC	Front MIC(optional)
	Audio Interface	Audio I/O
	Bluetooth	BT4.0 (Optional)
	Support extensions	Multiple industry interface support customization
Display	Color	16.7M
	Point distance	0.264mm
	Screen Panel	Industrial control panel
	Contrast	800:1
	Display brightness	400cd/m2 (customizable high brightness above 400cd/m2)
	View angle	(H160 (V) 160, customizable wide viewing angle 178°
	Backlight type	LED-backlit screen Lifetime ≥ 50000h
	Gray-scale response time	5ms
	Touch Optional	Resistive/Projective Capacitive/Mouse Control
	Installation method	Embedded, desktop, wall-mounted, VESA
Power	Power	12V-5A Professional External Power Adapter
	Power consumption	≤60W

Other	Working temperature	-10°C ~ 60°C
	Storage temperature	-20°C ~ 60°C
	Relative humidity	0%-65% (without condensation)
	Material	Full body made of aluminum alloy material
	Color	Silver / Black/Optional
	Warranty Policy	Three-year warranty in all, one year for free
	Degree of protection	Front panel IP65 dustproof and waterproof
	Packing Accessories	Industrial Tablet PC / Mounting Accessories / Power Cord / Power Adapter / Driver CD / Manual / Warranty Card

MECHANICAL DRAWING



DQ : TDS200322-J01

TBD

Customer Request	
Display Port: Customization	
LCD Brightness(Dimming): High Brightness / Sunlight Readable/Dimming : Auto,Knob,Manual	
- Industrial monitor : 5% Dimming (Zero Dimming : please ask to Sales team)	
- High-brightness monitor : 50% Dimming (5%, Zero Dimming : please ask to Sales team)	
Touch Screen : PCAP touch screen	
Resistive Touch Screen	
IR Touch Screen	
SAW Touch Screen	
Glass : Tempered Glass	
AR/AG coating	
Optical/Air Bonding	
Power: DC voltage/AC voltage/Connector type	
Cable/Connector: Length of Cable and connector type	
Mechanical Housing/ IP grade/ Easy Mounting Design	
NOTE	
1. This is a simplified drawing, and some components are not marked in detail.	
2. Please contact our sales representative if you need further product information.	
3. All specifications are subject to change without prior notice.	
4. The product shown in this datasheet is a standard model. For diagrams that contain customized or optional I/O please contact our Team(TDS) for more information.	